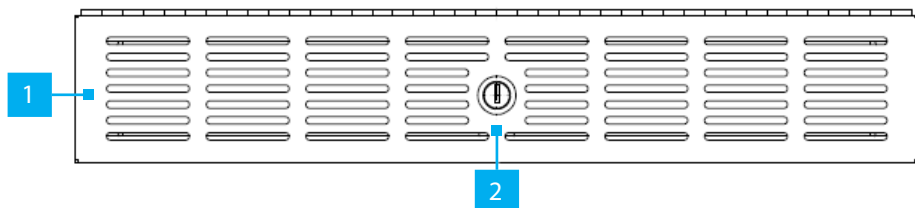


2U Hinged Security Lock Panel

Product Diagram (RKSECLK2U)



Component	Function
1 Hinged Security Panel	• Used to restrict access to the device within the Rack .
2 Lock	• Used to secure the Hinged Security Panel closed.

Requirements

For the latest requirements, please visit www.startech.com/RKSECLK2U

- Cage Nut Tool x 1 (optional)
- Phillips Head Screwdriver x 1

Package Contents

- Hinged Security Lock Panel x 1
- M5 Screws x 4
- M5 Cage Nuts x 4
- Keys x 2
- Quick-Start Guide x 1

Installation

Notes: Make sure that there are empty **Cage Nut Holes** on the **Rack's Rails**, above and below the **Device** that you wish to secure.

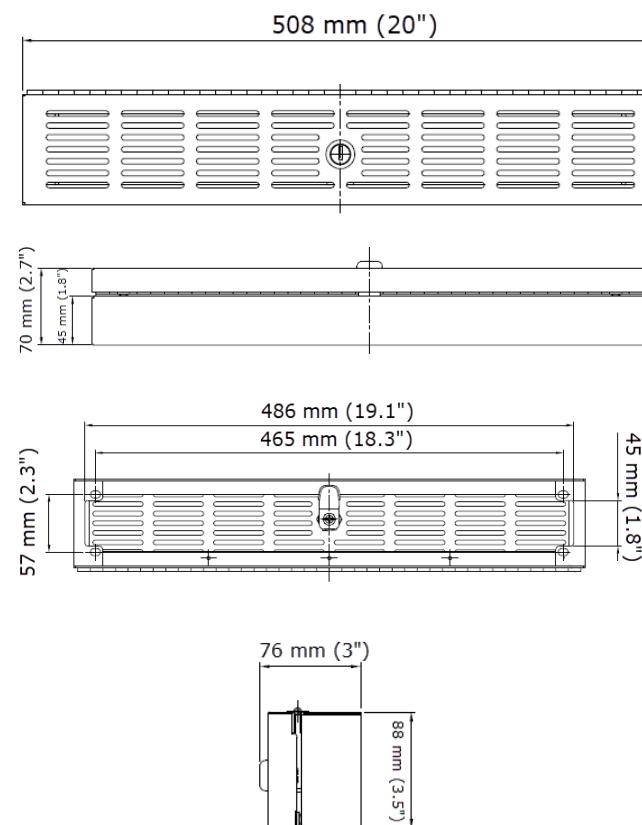
The **Hinged Security Panel** is meant to be used to secure 1U height equipment and will render the rack unit above and below the protected device unusable.

1. Locate the **Device** within a **Rack** that you would like to secure.
2. Insert the **M5 Cage Nuts** (x 4) into the **Cage Nut Holes** on the **Rack's Rails** above and below the device.

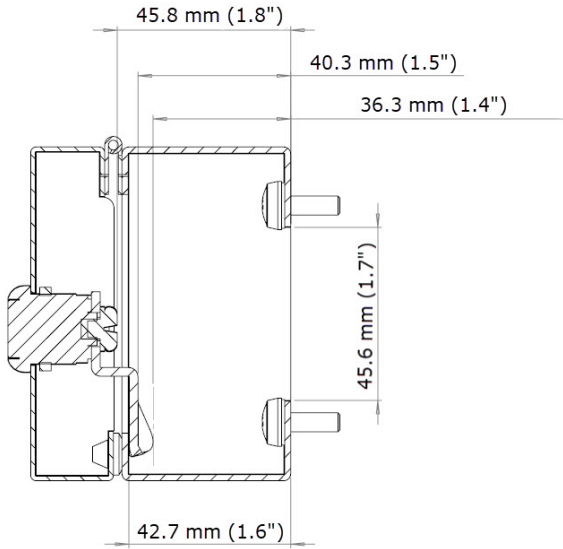
Note: A **Cage Nut Tool** can be used to help insert the **Cage Nuts**.

3. Align the **Cage Nut Holes** on the **Hinged Security Panel**, with the **M5 Cage Nuts** on the **Rack's Rail**.
4. Insert the **M5 Screws** (x 4) through the **Cage Nut Holes** and into the **Cage Nuts**.
5. Using a **Phillips Head Screwdriver**, tighten the **M5 Screws**.
6. When the **Hinged Security Panel** is installed, use the **Key** (included) to unlock and lock the **Lock**, securing the **Device**.

Product Dimensions



Lock Dimensions



Use of Trademarks, Registered Trademarks, and other Protected Names and Symbols

This manual may make reference to trademarks, registered trademarks, and other protected names and/or symbols of third-party companies not related in any way to StarTech.com. Where they occur these references are for illustrative purposes only and do not represent an endorsement of a product or service by StarTech.com, or an endorsement of the product(s) to which this manual applies by the third-party company in question. StarTech.com hereby acknowledges that all trademarks, registered trademarks, service marks, and other protected names and/or symbols contained in this manual and related documents are the property of their respective holders.

Warranty Information

This product is backed by a three-year warranty.

For further information on product warranty terms and conditions, please refer to www.startech.com/warranty.

Limitation of Liability

In no event shall the liability of StarTech.com Ltd. and StarTech.com USA LLP (or their officers, directors, employees or agents) for any damages (whether direct or indirect, special, punitive, incidental, consequential, or otherwise), loss of profits, loss of business, or any pecuniary loss, arising out of or related to the use of the product exceed the actual price paid for the product. Some states do not allow the exclusion or limitation of incidental or consequential damages. If such laws apply, the limitations or exclusions contained in this statement may not apply to you.

StarTech.com Ltd.

45 Artisans Cres
London, Ontario
N5V 5E9
Canada

StarTech.com LLP

2500 Creekside
Parkwy
Lockbourne, Ohio
43137
U.S.A.

StarTech.com Ltd.

Unit B, Pinnacle 15
Gowerton Rd,
Brackmills
Northampton
NN4 7BW
United Kingdom

FR: startech.com/fr
DE: startech.com/de
ES: startech.com/es
NL: startech.com/nl
IT: startech.com/it
JP: startech.com/jp