

ACAC10045—Rackmount 3.5-kW Touch Screen Display Interface

Safety

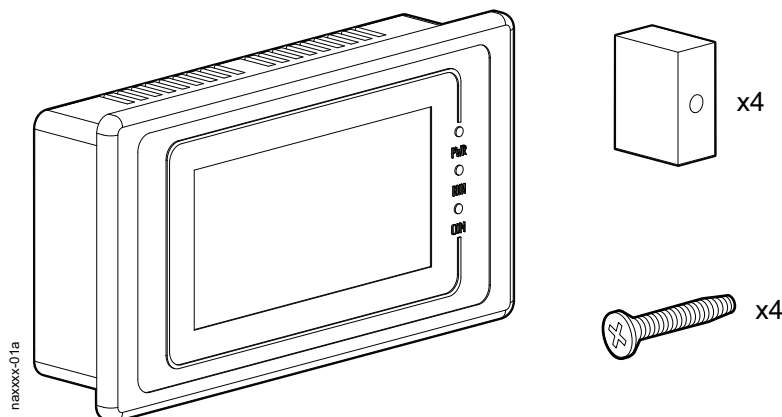
NOTICE

DAMAGE TO EQUIPMENT

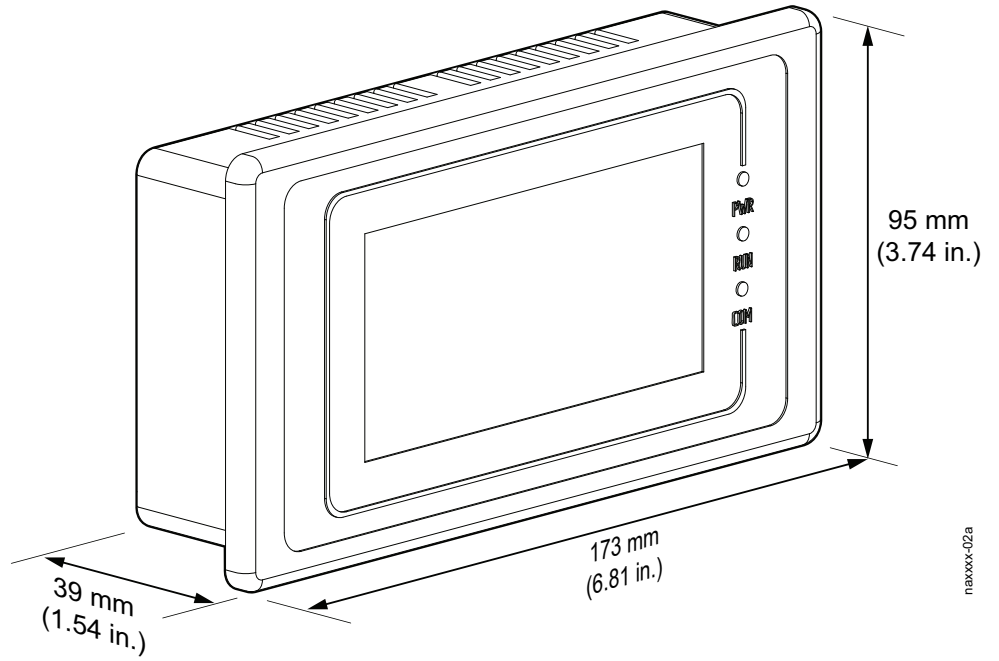
- Electrical equipment must be installed, operated, serviced, and maintained only by qualified personnel.
- Electrical service must conform to local and national electrical codes and regulations.
- Cables should not be in contact with high temperature objects (copper pipes and water pipes without thermal insulation) in order to avoid damaging the insulation layer.

Failure to follow these instructions can result in equipment damage.

Inventory

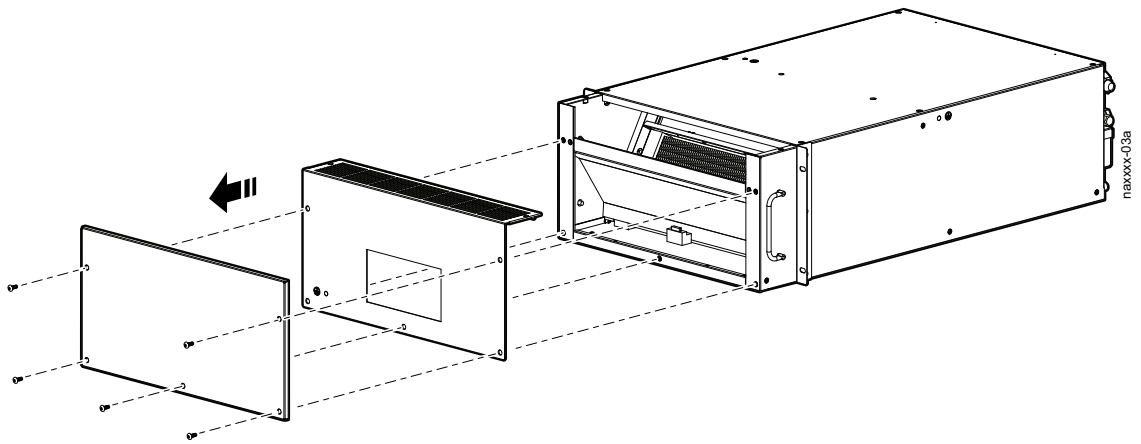


Dimensions

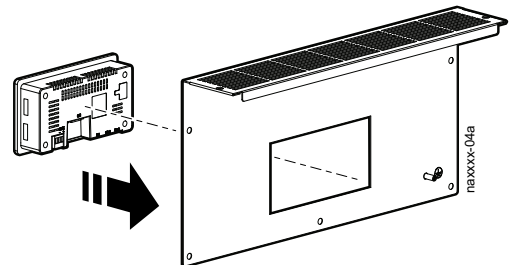


Installation

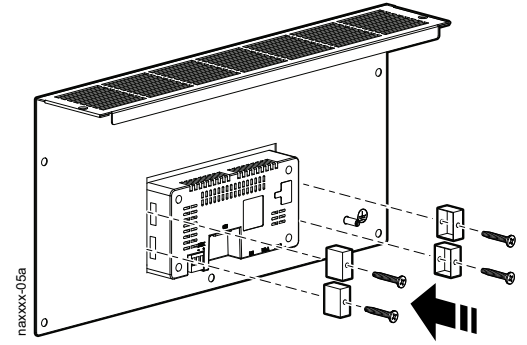
1. Remove the front cover panel and the front grille panel.



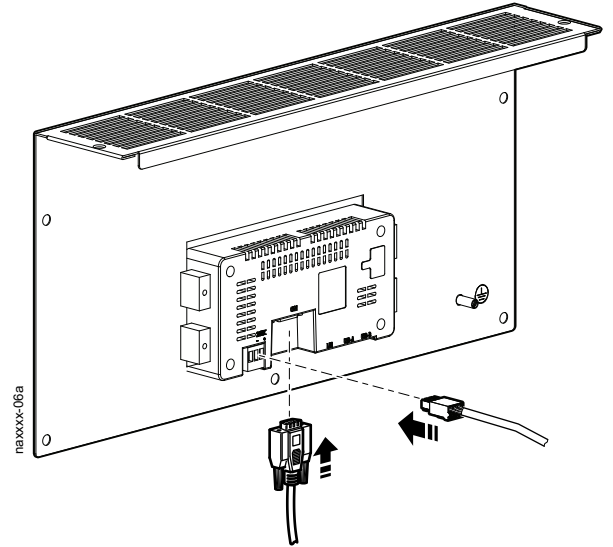
2. Place the display interface in the grille panel.



3. Attach the display interface to the panel with the provided fasteners.



4. Connect the power and communication cable from the cooling unit to the display.



5. Replace the grille panel with the display.

