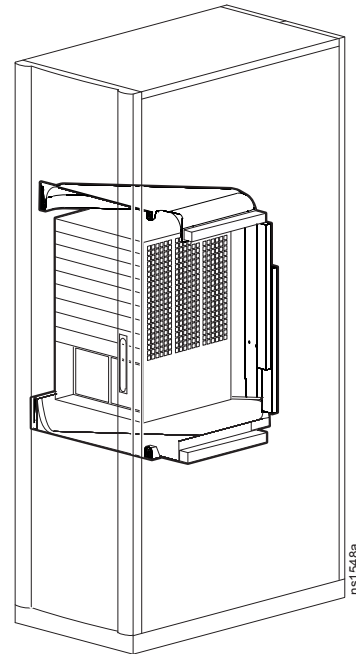


Side Airflow Duct Kit for NetShelter™ SX 750 mm Enclosure

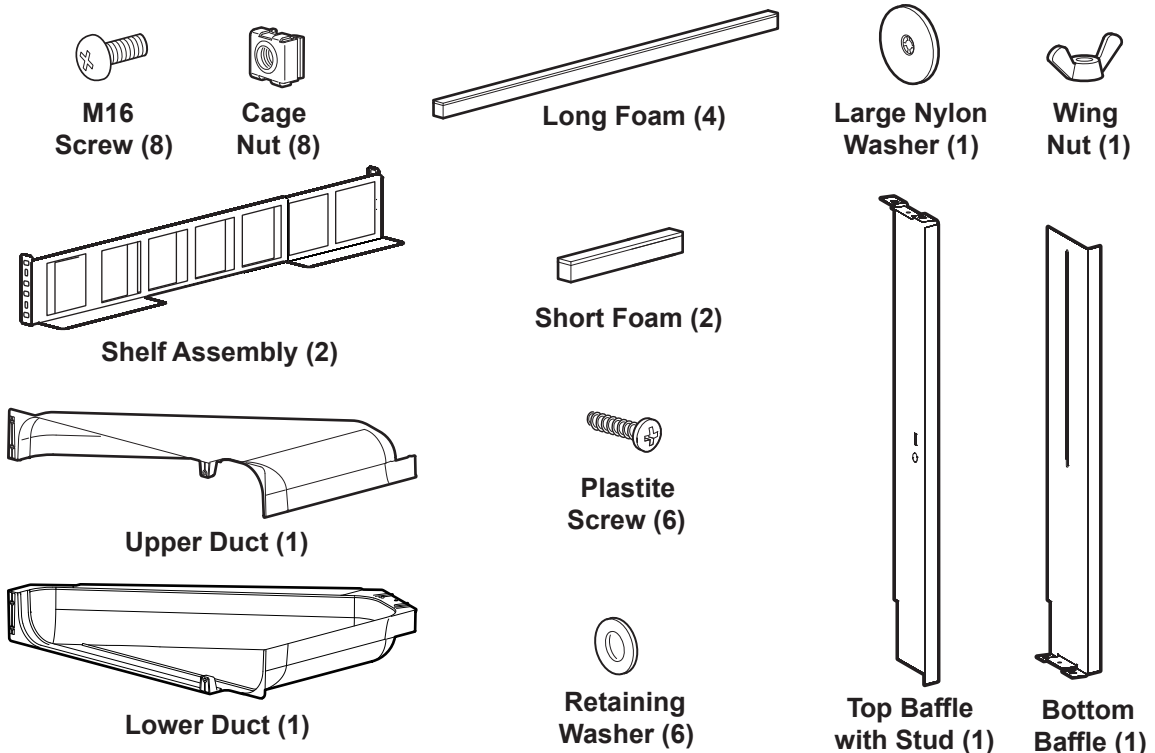
AR7715

NOTICE

The NetShelter Side Airflow Duct Kit is intended for use with Cisco® Catalyst 6509, 6509-E, 6513 Switches and Cisco MDS 9513 Multilayer Switches.



Inventory



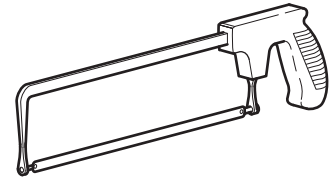
Tools Required (not provided)



Torx® T30/Phillips #2 wrench



Cage Nut Tool

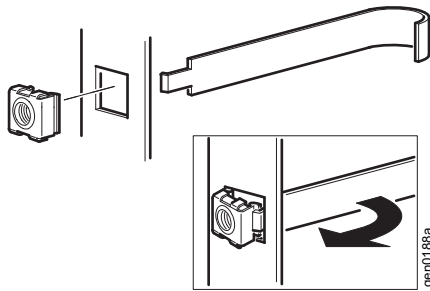
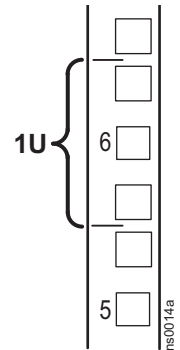


Hacksaw

Cage Nuts

Locate the top and bottom U-space on the vertical mounting rails. Every third hole on the mounting rails is numbered to indicate the middle of a U-space.

NOTE: Read and follow the manufacturer's installation instructions for your rack-mount equipment.



Installation:

From inside the enclosure, insert the cage nut into the square hole.

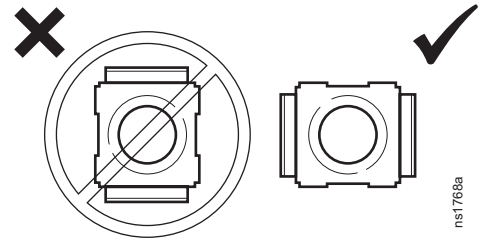
Hook one ear of the cage nut assembly through the far side of the hole.

Place the cage nut tool on the other side of the cage nut and pull to snap into position.

NOTES:

Install cage nuts horizontally, with the ears engaging the sides of the square hole.

Install the cage nuts on the interior of the vertical mounting flange.



⚠ CAUTION

HAZARD OF FALLING EQUIPMENT

Never install cage nuts vertically with the ears engaging the top and bottom of the square hole. This will result in insecure mounting for rack-mounted equipment.

Failure to follow these instructions can result in injury or equipment damage.

Removal:

Remove any attached screw.

Grasp the cage nut and squeeze the sides to release it from the square hole.

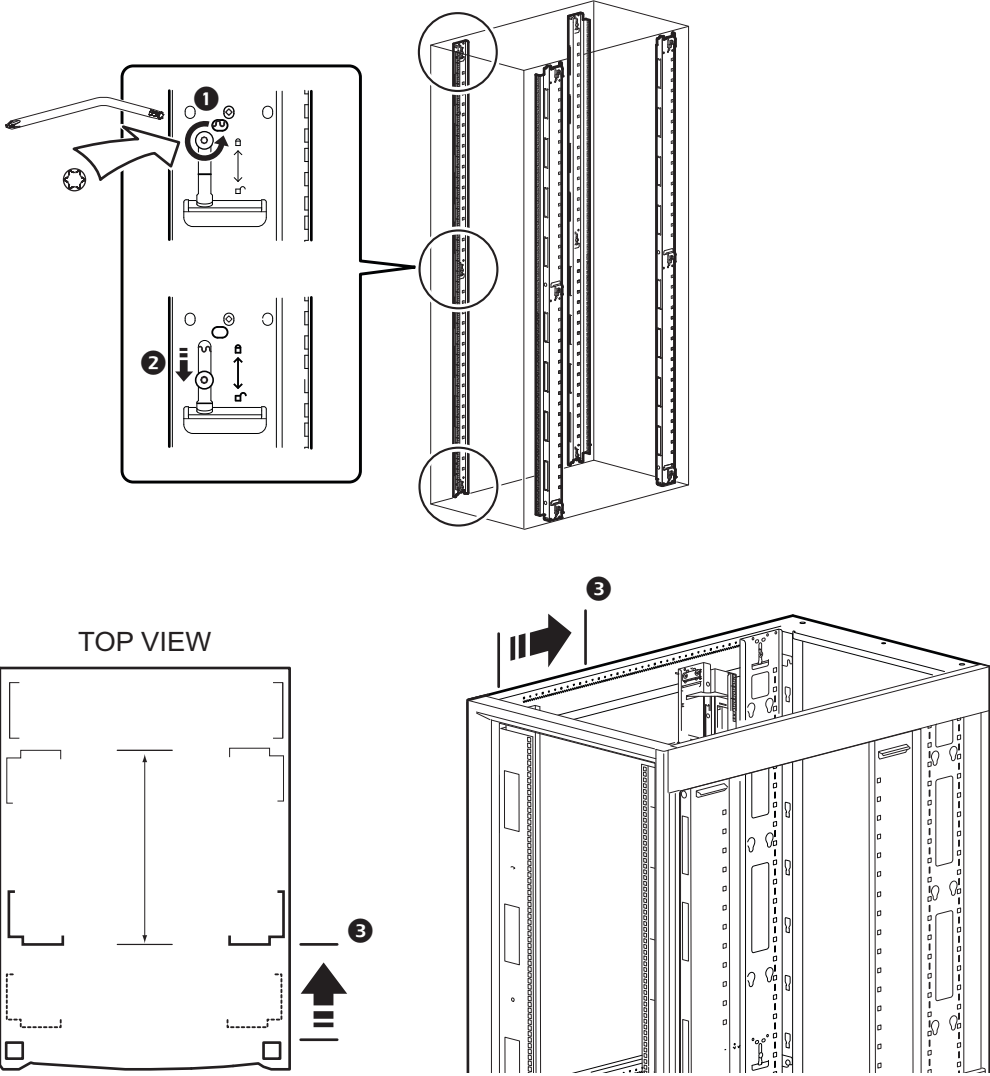
Preparation

Adjust the Vertical Mounting Flanges (if required)

For non-networking cabinets, adjust the depth of the vertical mounting flanges.

NOTE: Side Airflow Duct Kit Mounting Shelves adjustment range:

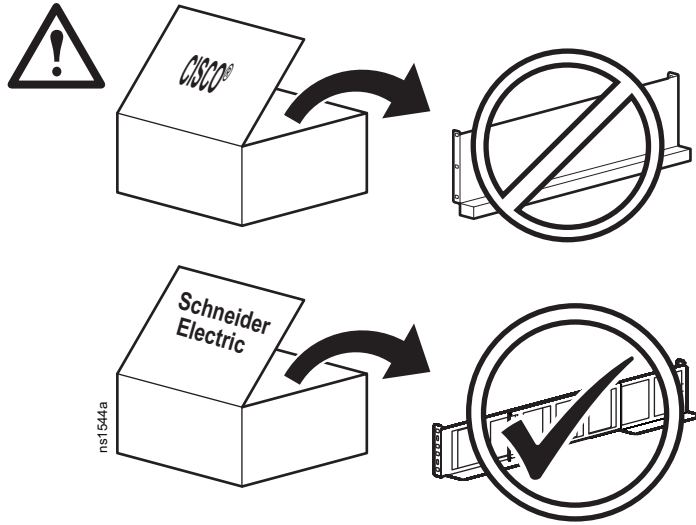
- Min: 470 mm (18.5 in.)
- Max: 737 mm (29.0 in.)



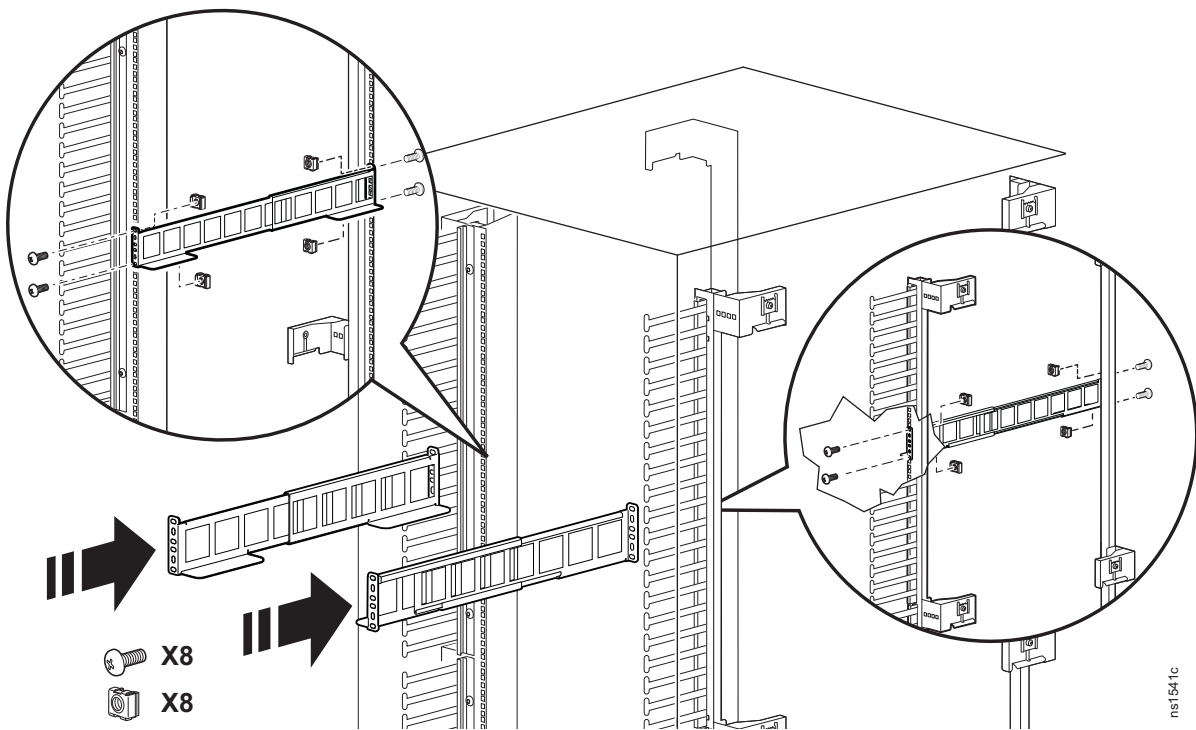
Installation

NOTICE

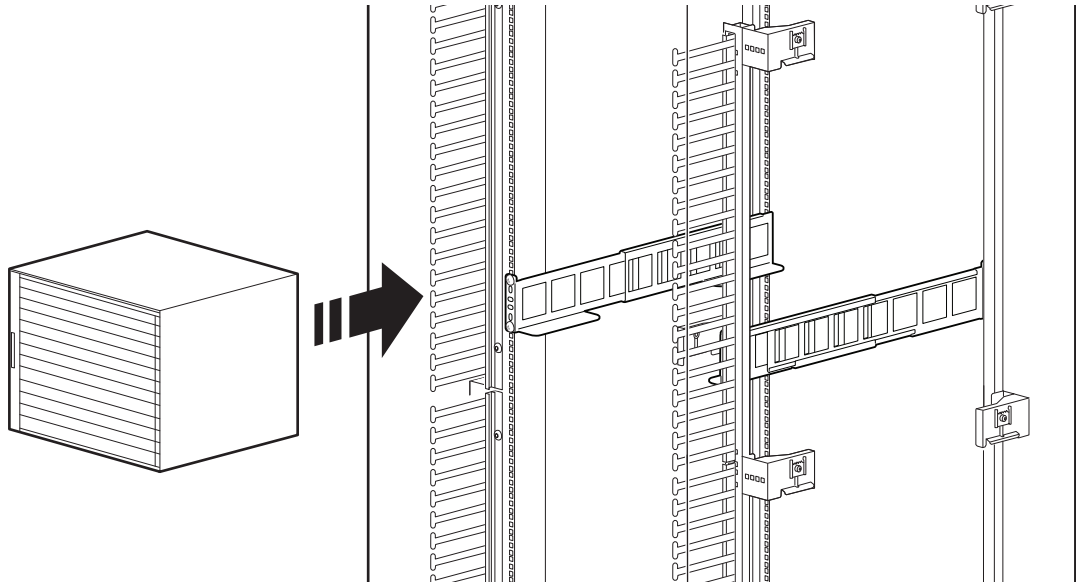
The Schneider Electric Side Airflow Duct Kit requires the use of Schneider Electric Mounting Shelves for any CISCO® switch installation. Do **NOT** use CISCO® mounting shelves to install any CISCO® switch.



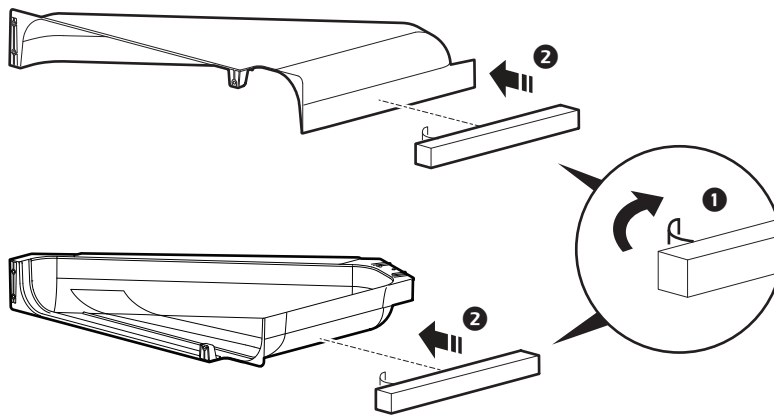
1



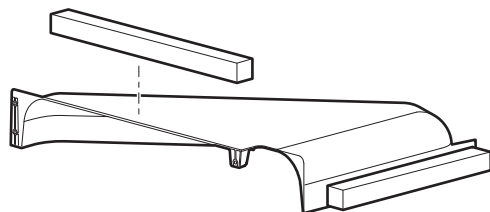
2

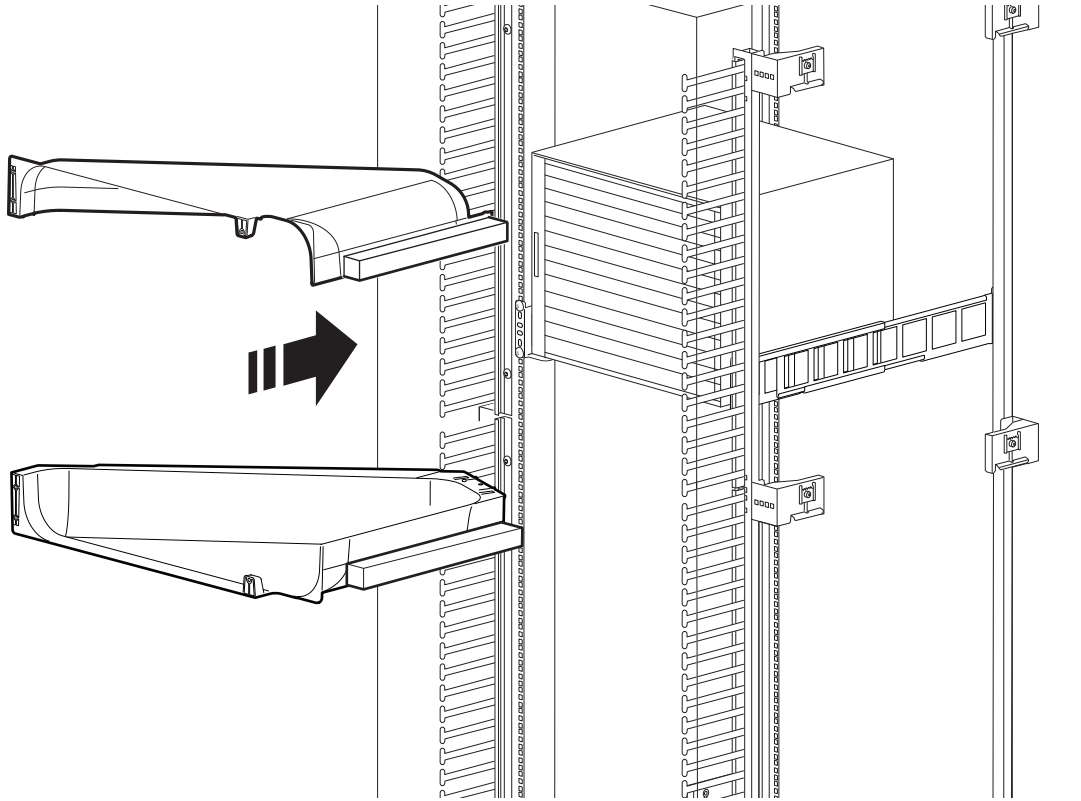


3



NOTE: Additional gasket foam may be required on the upper duct during installation for the Cisco Catalyst 6509 Switch.



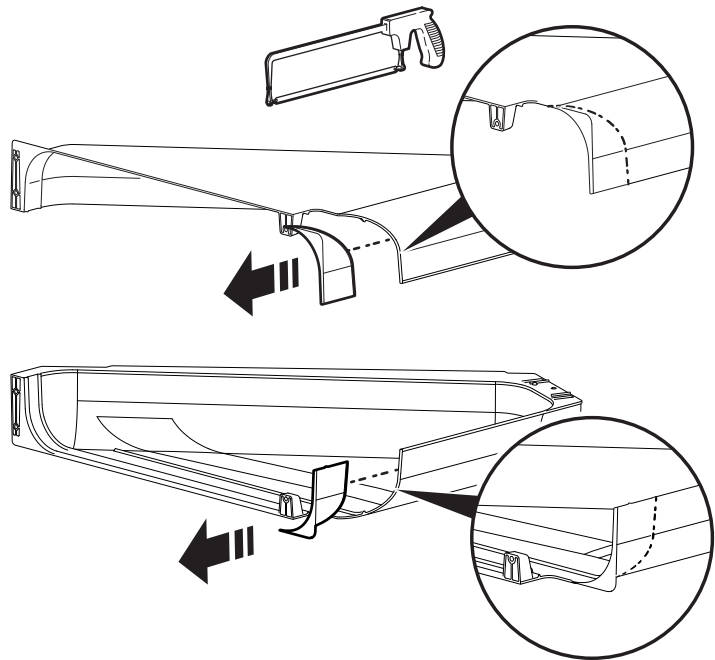


ns1961b

NOTE: For 750mm non-networking cabinet, if the U-space mounting rail interferes with the duct installation, the front-right corner of the ducts can be removed before installation.

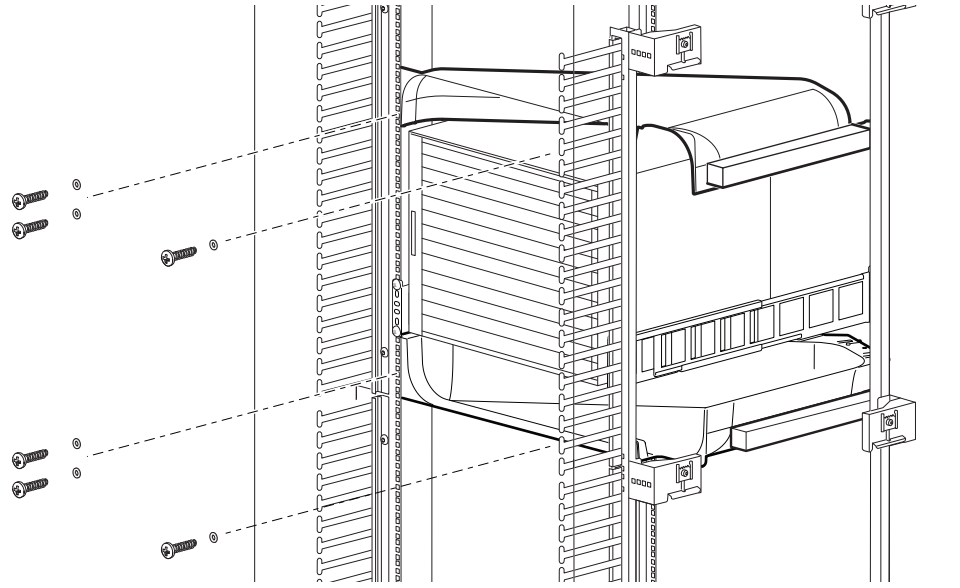
Refer to the marks on the ducts for removal.

Use a hacksaw or other appropriate cutting tool.



ns1957b

5



ns1962a

6

