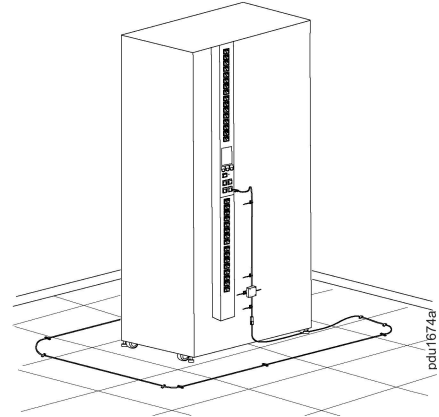




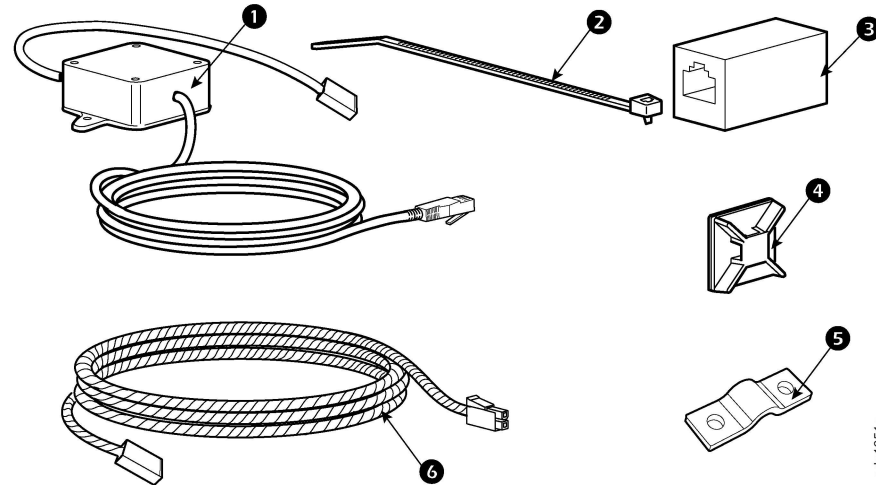
NetShelter Rack PDU Advanced Rope Fluid Leak Sensor APDU1308

Installation



NOTE: 1. If your installation requires additional RS-485 cable length, use the RJ45 coupler (provided) with an additional RS-485 cable (not provided). The RS-485 cable can be extended up to 30 meters.
2. Additional rope leak sensor cable extensions (not provided) can be added to enlarge the detection zone when required. The maximum total length of the rope leak sensor cables is 30.5 meters.

Inventory



1	Rope Fluid Leak Sensor Assembly (Qty 1) Includes: Sensor Cable, Sensor, RS-485 cable with RJ45 connector
2	Cable Ties (Qty 5)
3	RJ45 Quick Disconnect Coupler (Qty 1)
4	Adhesive-backed Cable Mount (Qty 5)
5	Wire Mount (Qty 6)
6	Leak Sensor Rope (Qty 1)

IMPORTANT INFORMATION

The Rope Fluid Leak Sensor for the NetShelter Rack PDU Advanced provides early detection of fluid in a data center or enclosure along the entire length of the sensor cable (6m).

NOTICE

HAZARD OF EQUIPMENT DAMAGE

Do not connect the Rope Fluid Leak Sensor to anything other than the NetShelter Rack PDU Advanced. Doing so could damage the sensor.

Failure to follow these instructions can result in equipment damage.

NOTICE

HAZARD OF INCONSISTENT BEHAVIOR

Use of the Leak Sensor Rope on a metal floor will cause the Leak Sensor Rope to leak current if the metal floor is wet and is not recommended.

Failure to follow these instructions can result in equipment damage.

4/2022

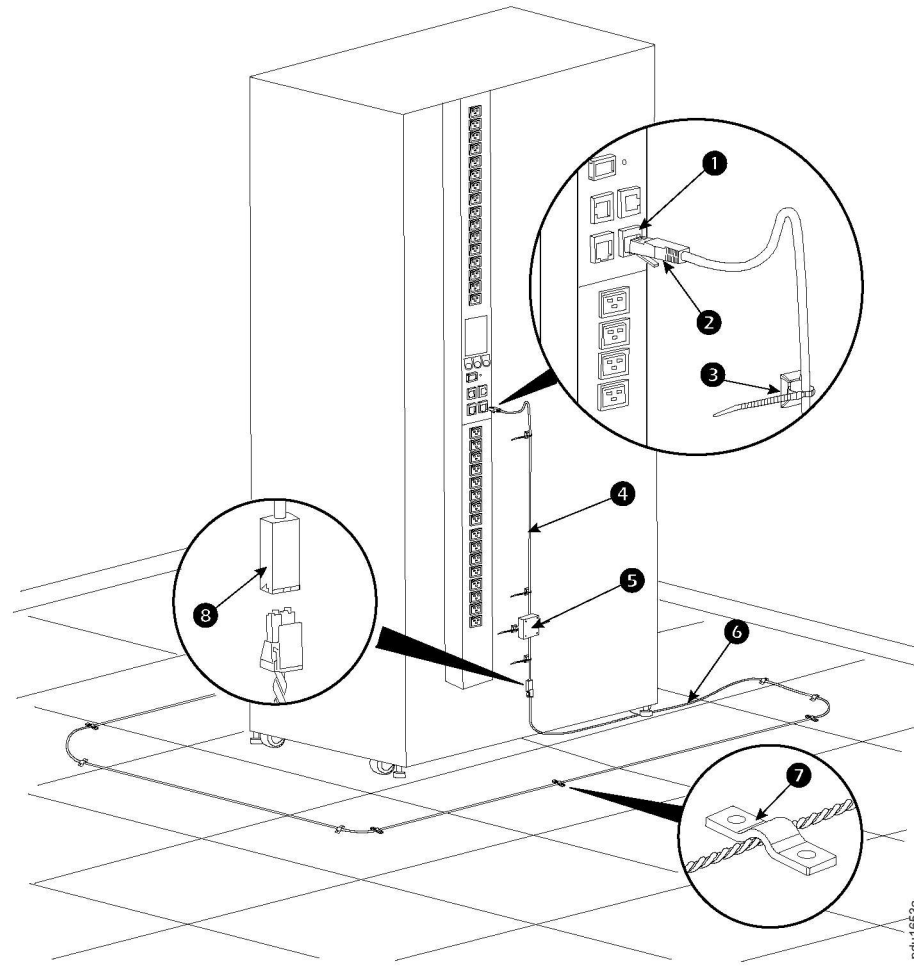
0990-91600

© 2022 Schneider Electric. All rights reserved.

Customer support and warranty information is available at www.apc.com

Worldwide Customer Support

Installation



1. Thread the Leak Sensor Rope **6** through the bottom of the enclosure. Position the Leak Sensor Rope around the outside of the enclosure.
2. Connect the Leak Sensor Rope **6** to the Connector **8** on the Sensor Cable of the Leak Sensor Assembly.
3. Connect the RJ-45 Connector **2** on the RS-485 Cable **4** of the Sensor Assembly **5** to Sensor Port 2 **1** on the NetShelter Rack PDU Advanced.
4. Secure the RS-485 Cable **4** to the inside of the enclosure with the provided Adhesive-backed Cable Mounts and Cable Ties **3**. You can use only the Cable Ties to secure the RS-485 Cable if practical.
5. Secure the Leak Sensor Housing **5** with the provided Adhesive-backed Cable Mounts and Cable Ties **3** inside the enclosure. You can use only the Cable Ties to secure the RS-485 Cable if practical.
6. Secure the Leak Sensor Rope **6** to the floor with the provided Wire Mounts **7**. Fasteners to secure the Wire Mounts **7** to your floor are not provided.