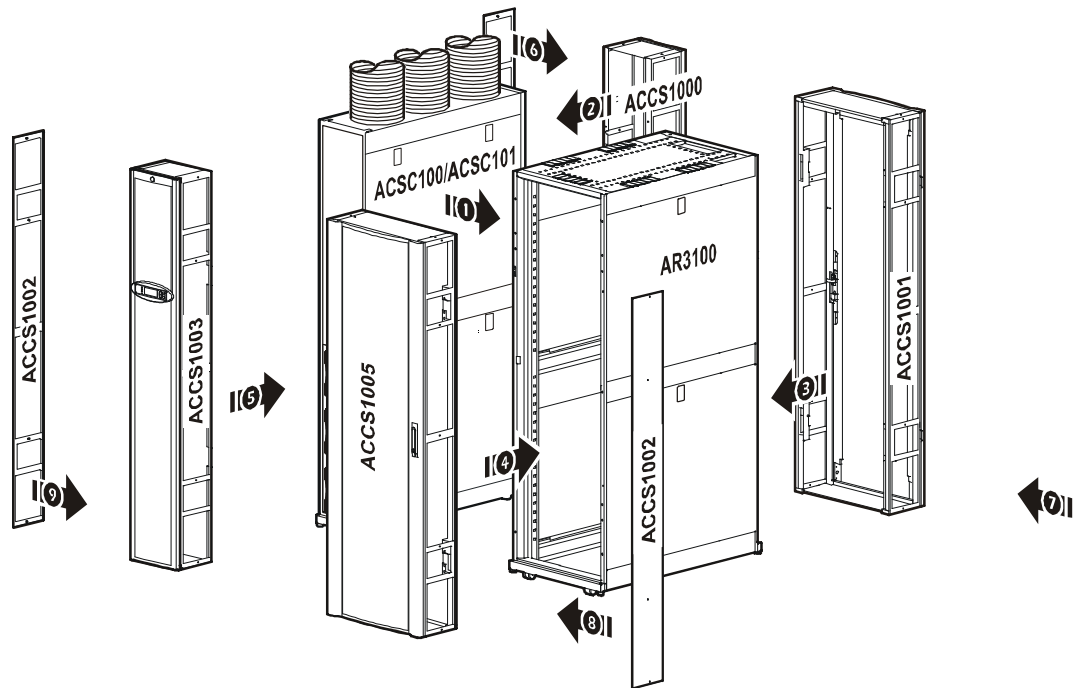


## SC Packaged Systems Instruction Sheet



**Note:** This document is intended for use with SC packaged systems only. If your InRow SC unit is not part of a packaged system, please disregard these instructions.

### RACSC112 and RACSC112E front view

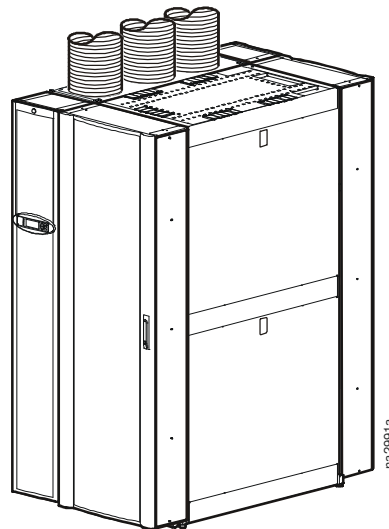


**Note:** Numbers indicate assembly sequence (1, 2, 3, etc.)

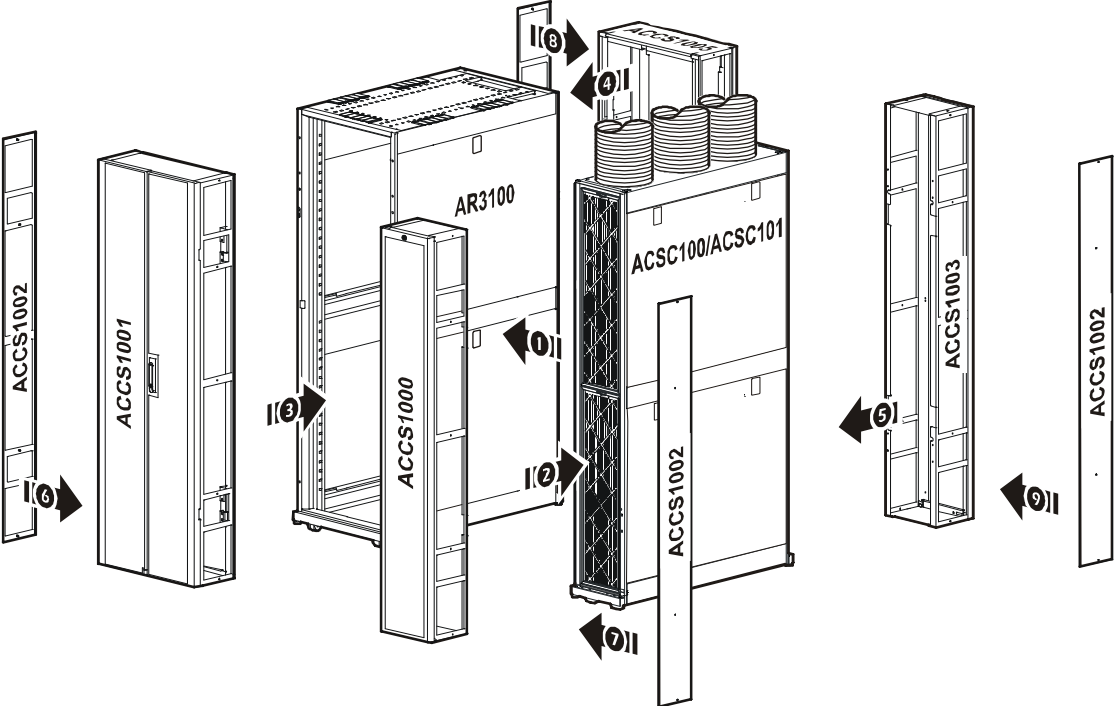
All hardware is included with the individual units.

See the documentation included with each unit for detailed assembly instructions.

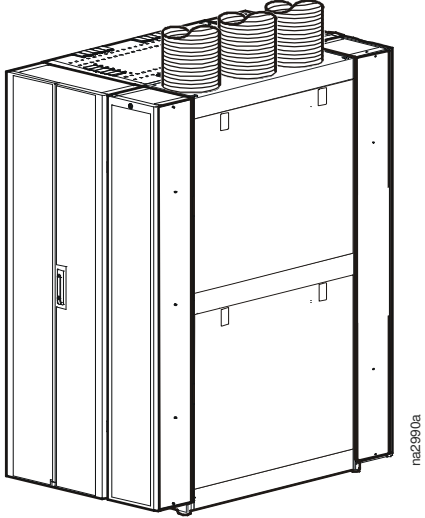
See the InRow SC Technical Data Manual for specifications and technical information.



# RACSC112 and RACSC112E rear view

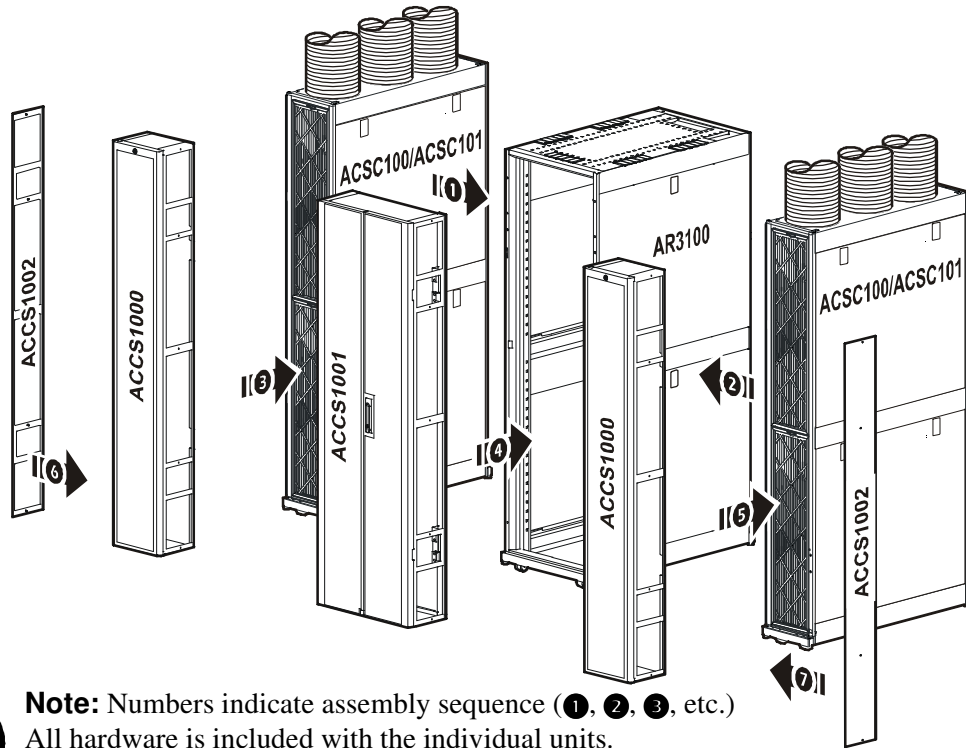


**Note:** Numbers indicate assembly sequence (1, 2, 3, etc.)  
 All hardware is included with the individual units.  
 See the documentation included with each unit for detailed assembly instructions.  
 See the InRow SC Technical Data Manual for specifications and technical information.



na2990a

## RACSC201 and RACSC201E rear view

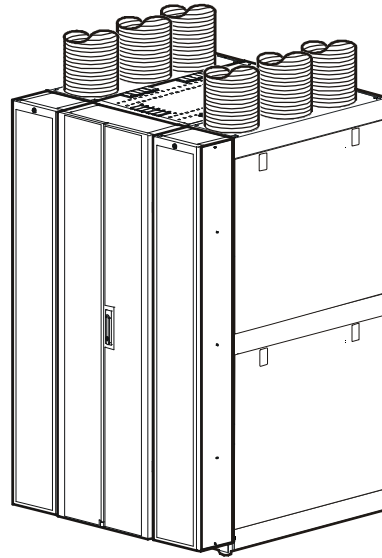


**Note:** Numbers indicate assembly sequence (1, 2, 3, etc.)

All hardware is included with the individual units.

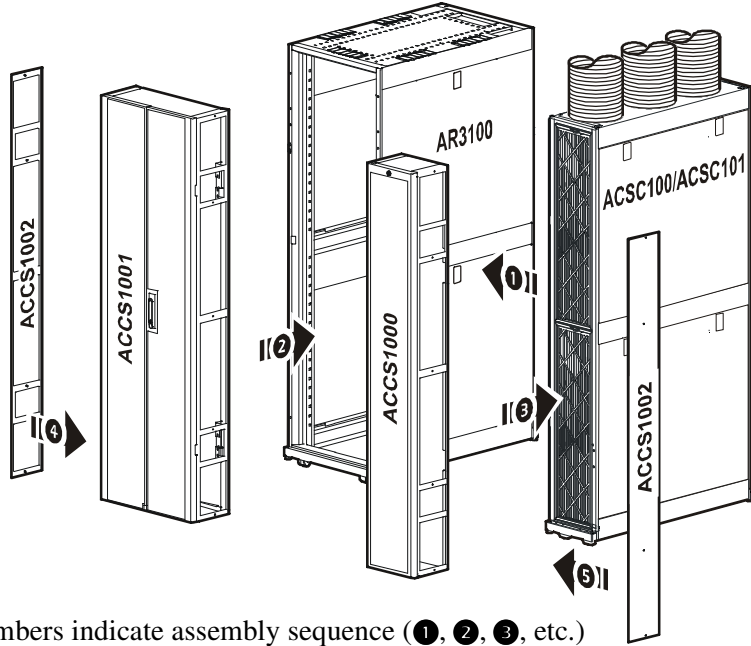
See the documentation included with each unit for detailed assembly instructions.

See the InRow SC Technical Data Manual for specifications and technical information.



na2988a

# RACSC101 and RACSC101E rear view



**Note:** Numbers indicate assembly sequence (1, 2, 3, etc.)  
All hardware is included with the individual units.  
See the documentation included with each unit for detailed assembly instructions.  
See the InRow SC Technical Data Manual for specifications and technical information.

