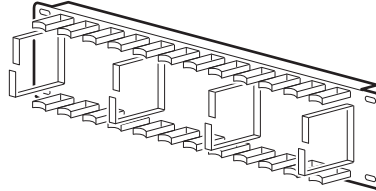


2U Horizontal Cable Organizer with Cable Fingers

AR8427A



Cable Organizer (1)

Inventory

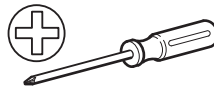


Cage Nut Screw (4)



Cage Nut (4)

Tools required



Phillips Screwdriver (not provided)

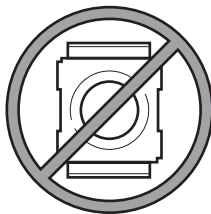
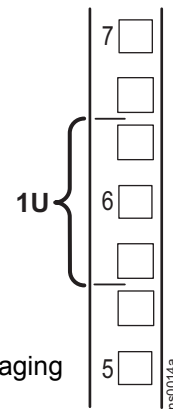


Cage Nut Tool (provided)

Cage Nuts

NOTE: Read and follow the manufacturer's installation instructions for your rack-mount equipment.

Locate the top and bottom U-space on the vertical mounting rails. Every third hole on the mounting rails is numbered to indicate the middle of a U-space.



NOTES:

Install cage nuts horizontally, with the ears engaging the sides of the square hole.

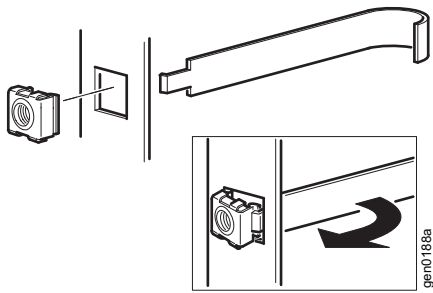
Install the cage nuts on the interior of the vertical mounting flange.

⚠ CAUTION

HAZARD OF FALLING EQUIPMENT

Never install cage nuts vertically with the ears engaging the top and bottom of the square hole. This will result in insecure mounting for rack-mounted equipment.

Failure to follow these instructions can result in injury or equipment damage.



Installation:

From inside the enclosure, insert the cage nut into the square hole.

Hook one ear of the cage nut assembly through the far side of the hole.

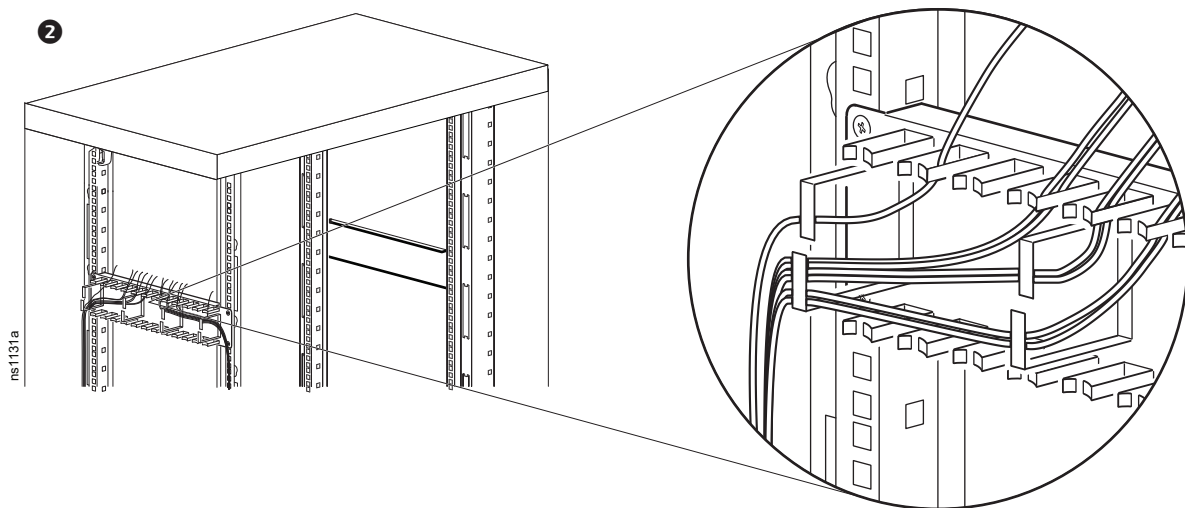
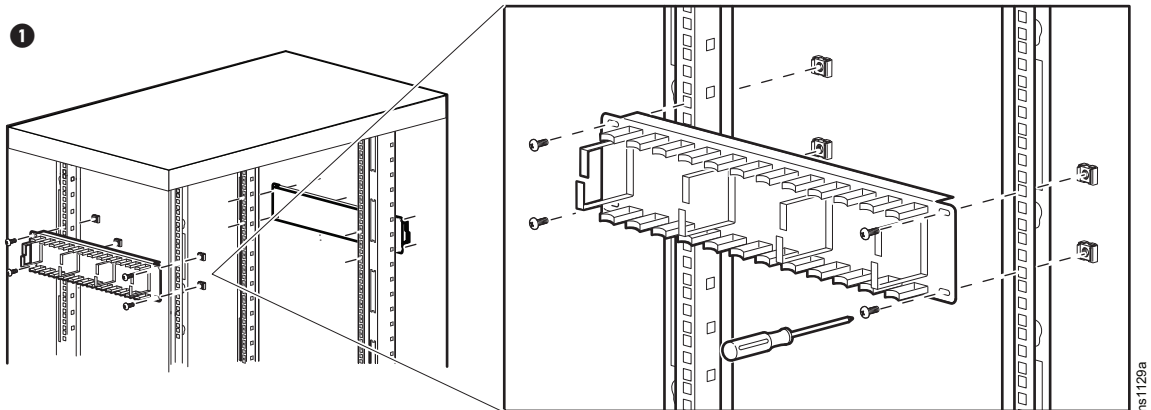
Place the cage nut tool on the other side of the cage nut and pull to snap into position.

Removal:

Remove any attached screw.

Grasp the cage nut and squeeze the sides to release it from the square hole.

Installation



Customer support and warranty information is available at www.schneider-electric.com.

© 2016 Schneider Electric. All Rights Reserved.

990-3070A
2/2016