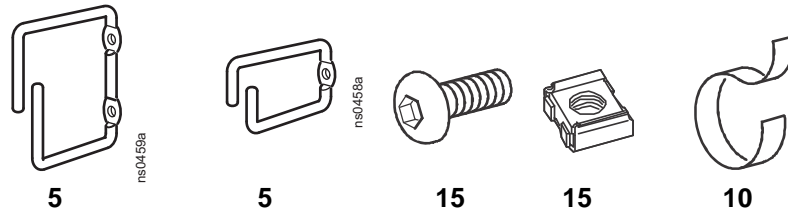


NetShelter™ Cable Management Rings

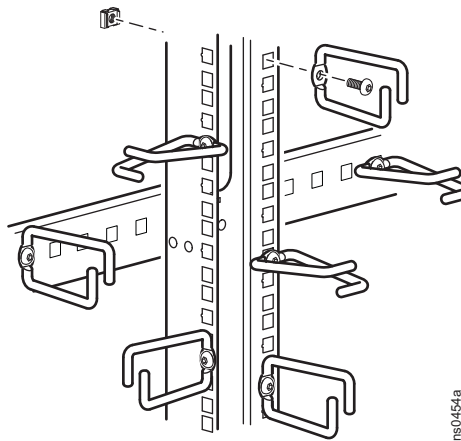
AR8113A



Tools required (provided)

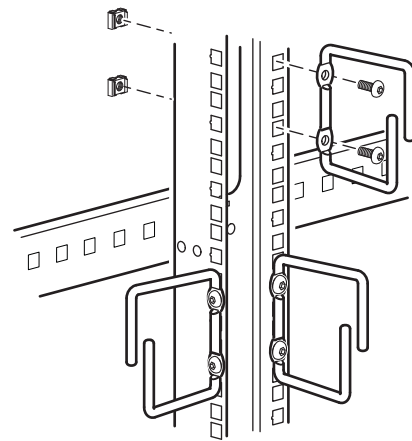


1U Placement



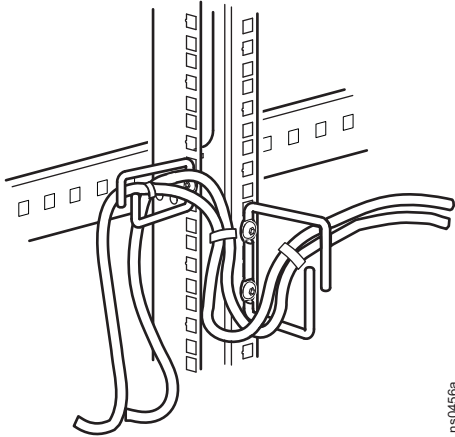
ns0454a

2U Placement

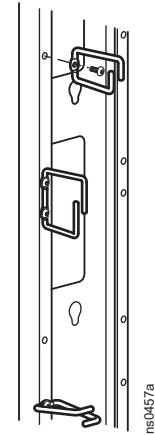


ns0456a

Hook-and-Loop Straps

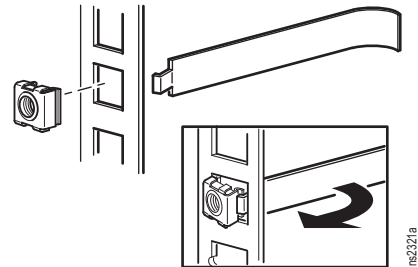


Cable Management Ring Placement in NetShelter VX Rear Cable Channel



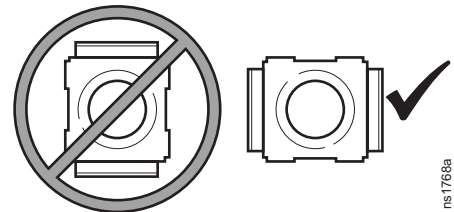
Install Caged Nuts

1. Insert the caged nut into the square hole by hooking one side of the caged nut assembly through the far side of the hole.
2. Place the caged nut tool (provided) on the other side of the caged nut and pull to snap into position.



Remove a Cage Nut

1. Remove any attached screw.
2. Grasp the caged nut and squeeze the sides to release from the square hole.



⚠ WARNING

HAZARD OF FALLING EQUIPMENT

Install the caged nut horizontally. Do NOT install the caged nut vertically with the sides of the caged nut engaging the top and bottom of the square hole.

Failure to follow these instructions can result in death, serious injury, or equipment damage.

Customer support and warranty information is available at www.schneider-electric.com.